



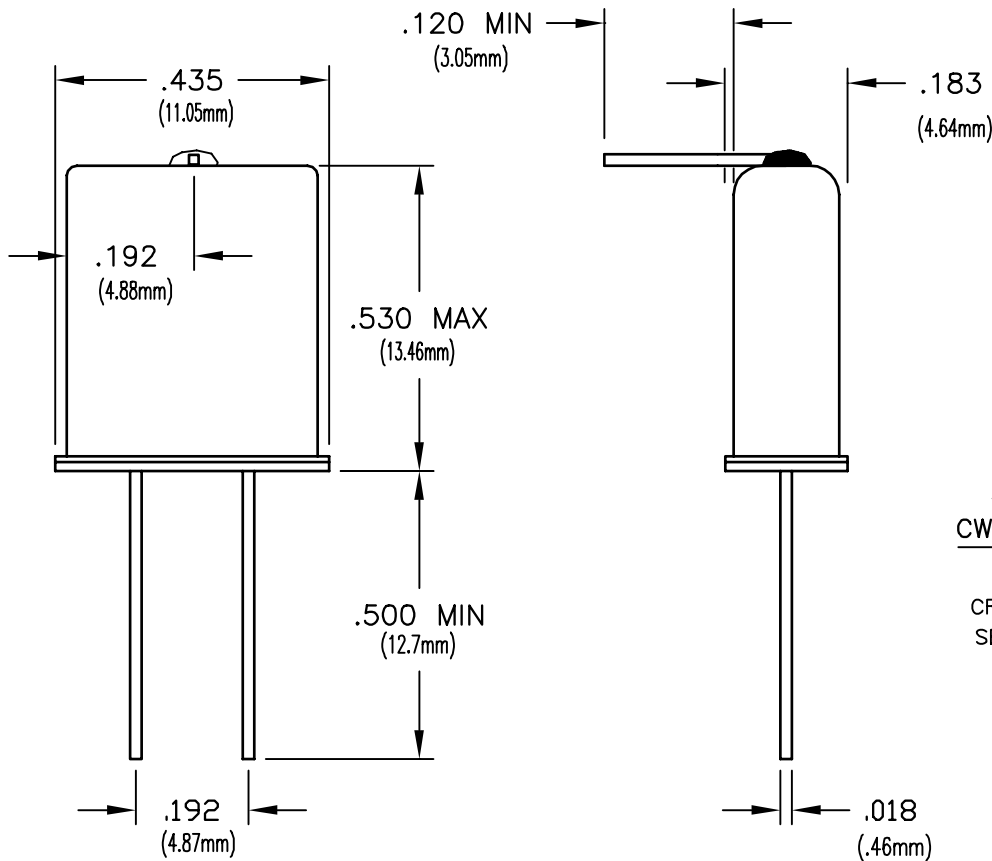
# CONNOR-WINFIELD CORPORATION

AURORA, IL. 60505  
 PHONE (630) 851-4722  
 FAX (630) 851-5040

## HC49/U CRYSTAL UNIT

FOR MOTOROLA MC145572 ISDN U-INTERFACE TRANSCEIVER

SPECIFICATIONS	LT MODE	NT MODE
	CW49GL-1	CW49GL-2
Frequency	20MHz to 26MHz	20MHz to 26MHz
Frequency Tolerance (at 25°C)	±15ppm	±15ppm
Temperature Stability	±50ppm	±20ppm
Operating Temperature Range	-40°C to +85°C	-40°C to +85°C
Overtone	Fundamental	Fundamental
Shunt Capacitance (Co)	7.0pf Maximum	7.0pf Maximum
Equivalent Series Resistance	20 Ohms Maximum	20 Ohms Maximum
Load Capacitance (CL)	24pF	24pF
Drive Level	0.5mW	0.5mW
Aging	±15ppm/10 years	±15ppm/10 years
Pullability	360ppm Minimum @ 15 to 45pF	360ppm Minimum @ 15 to 45pF
Holder Style	HC49/U	HC49/U



**ORDERING INFORMATION**  
 CW49GL-1 - 20.00MHz  
 CRYSTAL SERIES - CENTER FREQUENCY

Specifications subject to change without notice