



CONNOR-WINFIELD CORPORATION

AURORA, IL. 60505
 PHONE (630) 851-4722
 FAX (630) 851-5040

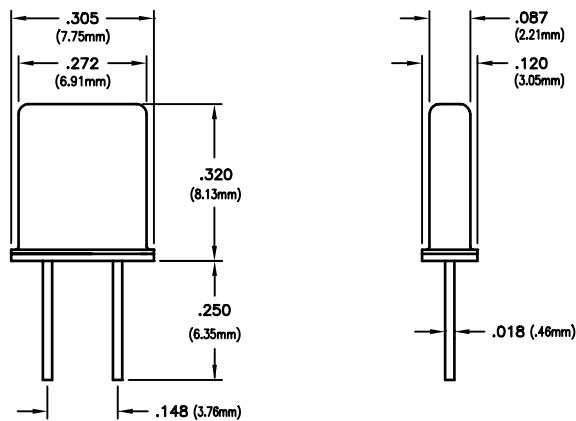
CRYSTAL UNIT

DESIGNED FOR USE WITH MC145650 ADSL TRANSCEIVER

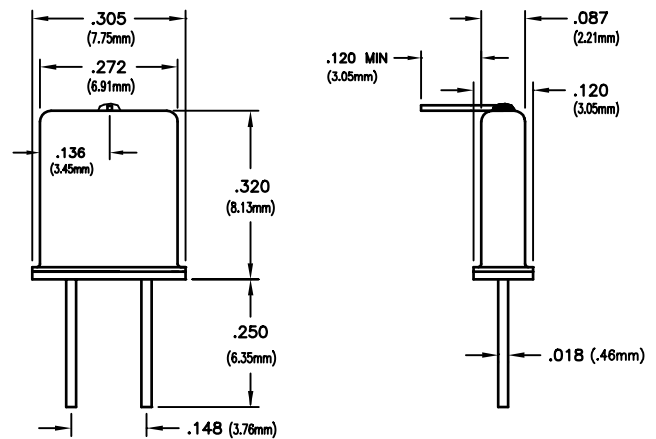
Frequency	55.2 MHz
Frequency Tolerance (at 25°C)	±20ppm
Temperature Stability & Aging	±20ppm
Operating Temperature Range	-25°C to +75°C
Holder Style	SEE BELOW

A450FEG8-13

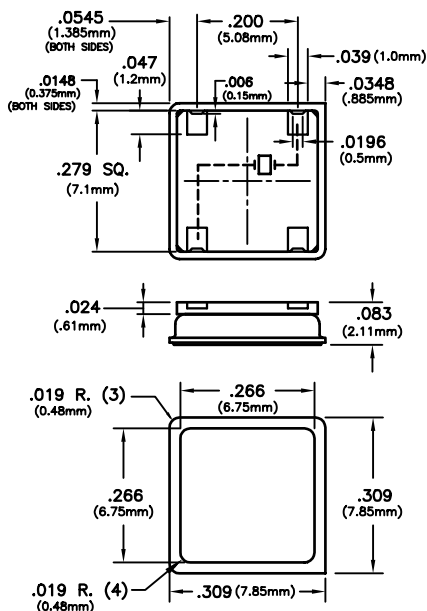
STANDARD FOOTPRINT



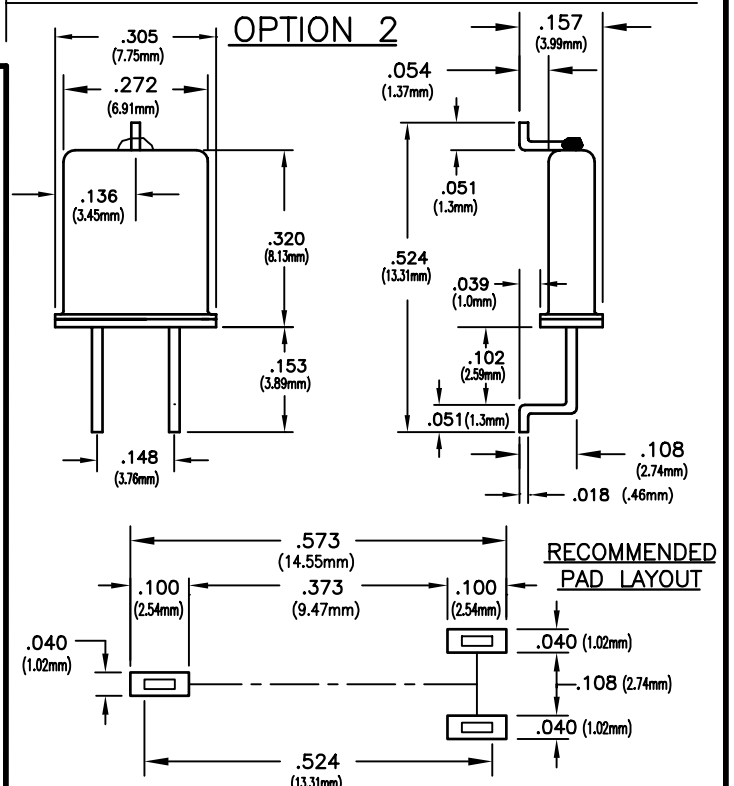
OPTION 1



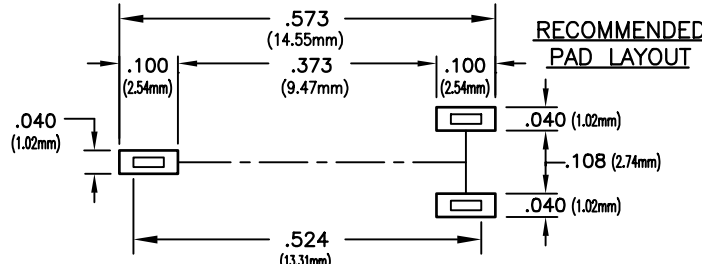
ASD0FEG8-13



OPTION 2



RECOMMENDED PAD LAYOUT



Specifications subject to change without notice

BULLETIN #: XT020
 INT PAGE 1 OF 1

REV: 09
 DATE: 4/21/98

ISSUED BY: _____