

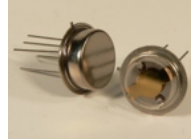
Precision Low Profile TO-8 SC Crystal



2111 Comprehensive Drive
Aurora, Illinois 60505
Phone: 630-851-4722
Fax: 630-851-5040
www.conwin.com
US Headquarters
630-851-4722:
European Headquarters:
+353-61-472221

Description

Connor-Winfield's precision SC crystals are designed for high frequency stability ovenized applications. The SC crystals are capable of achieving <math><5\text{ppb}/^\circ\text{C}</math> at turning point. The low profile coldweld package allows for very low aging performance in a reduced size.



Features

Model: 37420-xxx-Series

Frequency Range: 8.192 to 32 Mhz
Frequency Calibration @ 85°C:
+/-1.0ppm
Aging: ppb / Day
Package: TO-8, 0.200" High
Designed for Ovenized Applications
RoHS Compliant / Lead Free

General Specifications

ABSOLUTE MAXIMUM RATINGS

TABLE 1.0

PARAMETER	UNITS	MINIMUM	NOMINAL	MAXIMUM	UNITS	NOTE
Storage Temperature		-55	-	105	°C	

ELECTRICAL SPECIFICATIONS

TABLE 2.0

PARAMETER		MINIMUM	NOMINAL	MAXIMUM	UNITS	NOTE
Center Frequency	(Fo)	8.192	-	32.0	MHz	
Frequency Calibration @ 85°C		-1.0	-	1.0	ppm	See Table 4
Lower Turning Point		78	-	94	°C	
Inflection Temperature		-	-	96	°C	
Mode			3 rd Overtone			
Shunt Capacitance		-	-	5	pF	
Equivalent Series Resistance (ESR)		-	See Table 4			
Load Capacitance		-	20	-	pF	
Drive Level		-	-	100	u Watts	
Aging			0.5ppb / Day * 10 MHz			
Q:			Dependant on Frequency			

PACKAGE CHARACTERISTICS

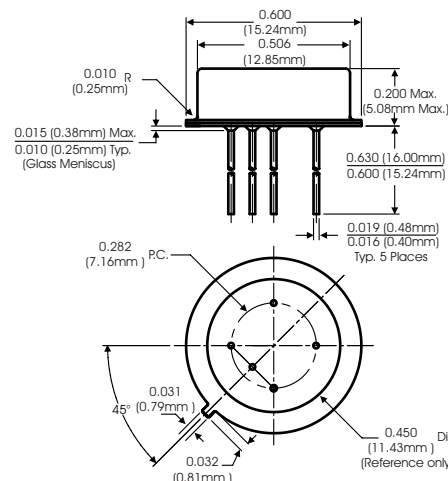
TABLE 3.0

Package	Hermetically Sealed Cold welded HC-37/u (TO-8) Package.
Leak Rate	0.01ppm atm. cc/sec. maximum

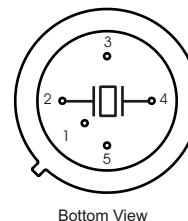
TABLE 4.0

Frequency Range	Equivalent Series Resistance (ESR)	Frequency Calibration @ 85°C
8.192 MHz to 9.999 MHz	90 Ohms	+/-1ppm
10 MHz to 12.999 MHz	85 Ohms	+/-1ppm
13 MHz to 19.999 MHz	80 Ohms	+/-1ppm
20 MHz to 32 MHz	75 Ohms	+/-2ppm

Package Outline

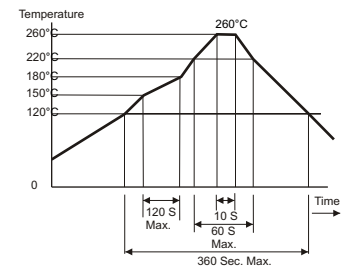


Pin Connections



Pin	Connection
1	Case
2	Crystal Connection
3	N/C
4	Crystal Connection
5	N/C

Solder Profile



Part Number

37420 - xxxx - xxx.xM
TO-8 SC Cut Specification (CW Assigned) Frequency (Mhz)

Bulletin	Xt217
Page	1 of 1
Revision	00
Date	09 Oct 2007